

Turbine Dimensions (typical)

4.2 EU tower

4.2.1 Outer dimensions

Component	L	D _A	D _B
Unit of measurement	[mm]	[mm]	[mm]
Bottom section	15420	4280	3933
Second section	17080	3933	3923
Third section	26600	3923	3667
Top section	30000	3667	3258

Table 4-2: Outer dimensions

4.2.2 Weight, reaction, and centre of gravity

Component	W	Reaction		L _{cg}
		R _A [kg]	R _B [kg]	[mm] [± 100 mm]
Unit of measurement	[kg]			
Bottom section	68500	37000	31500	7030
Second section	49500	26500	23000	7980
Third section	52000	27500	24500	12550
Top section	42500	21000	21500	15100

Table 4-3: Weight, reaction, and centre of gravity

NOTE L_{cg} is measured from the bottom flange of each tower section.

4.2.3 Flange data

Flange assembly	D _{BC} D _{BC, I} / D _{BC, O}	D _H	No. of holes	T _{FL}	D _I	D _O
Unit of measurement	[Ø in mm]	[Ø in mm]	#	[mm]	[mm]	[mm]
Bottom flange / 1	3730 / 4070	42	88 / 88	110	3520	4280
Middle flange 1 / 2	3743	51	116	110	3495	3933
Middle flange 2 / 3	3766	45	120	85	3563	3923
Middle flange 3 / 4	3533	39	88	70	3327	3667
Top flange / 5	3100	33	120	200	3010	3258

Table 4-4: Flange data

V117/V126-3.3/3.45 MW

Weight [kg]	L [mm]	H [mm]	L _w [mm]	H _{TC TS} [mm]
152495	17502	8409	5119	210

Table 4-41: Dimensions

L _{COG} [mm] _J	H _{COG} [mm] _J	L _{w-COG} [mm]	L _{TC-COG} [mm]	H _{TC-COG} [mm]
3688	1824	-21	421	1614

Table 4-42: Centre of gravity data

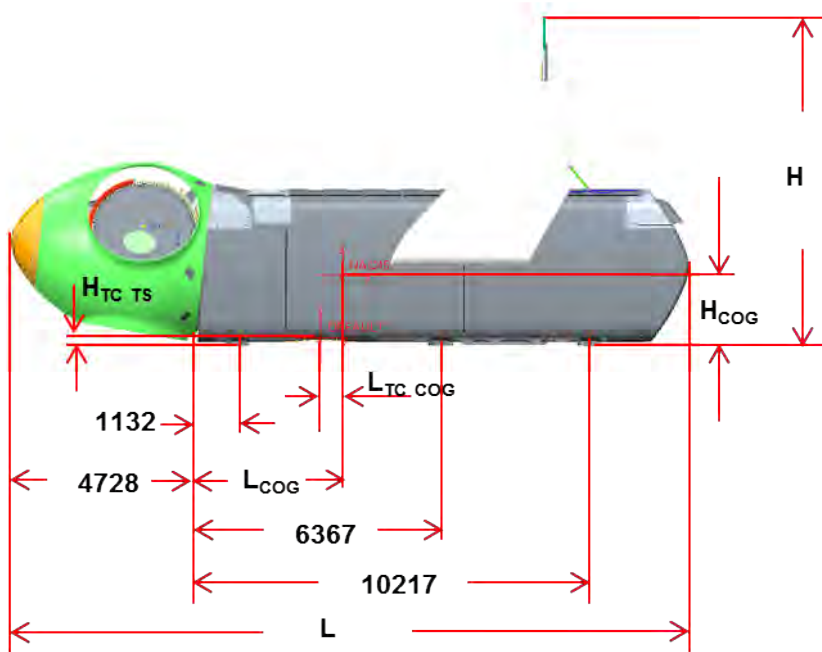


Figure 4-19: Dimensions of nacelle with installed drive train, roof kit, hub, spinner shells, and CoolerTop®

4.2 Blade in MBF frames

4.2.1 Blade in flat position in MBF frames

L [mm]	L _w [mm]	L _{cg} [mm]	H _{cg} [mm]	H [mm]	W _t [kg]	W _r [kg]	W [kg]
66788	4040	19160	*)	3625	6654	10330	14600

Table 4-3: Approximate weight, dimensions, and centre of gravity of a 67 m blade in flat position in MBF frames

*) CG is approximately in the centre line.



Figure 4-2: 67 m blade in flat position in MBF frames

4.2.2 Blade in upright position in MBF frames

L [mm]	L _w [mm]	L _{cg} [mm]	H _{cg} [mm]	H [mm]	W _t [kg]	W _r [kg]	W [kg]
66788	3625	19160	*)	4040	6654	10330	14600

Table 4-4: Approximate weight, dimensions and centre of gravity of a 67 m blade in upright position in MBF frames

*) CG is approximately in the centre line.

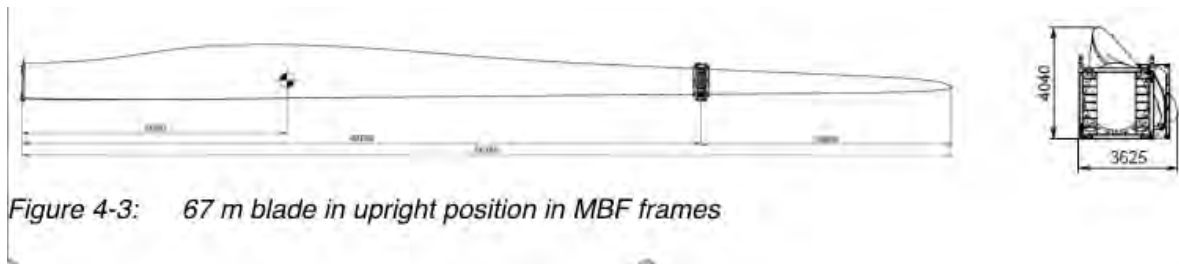


Figure 4-3: 67 m blade in upright position in MBF frames